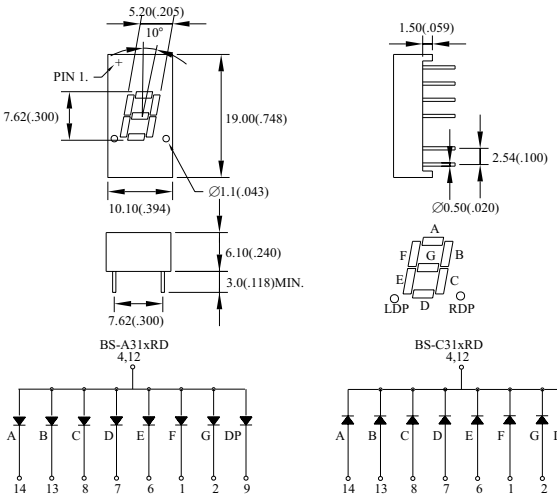
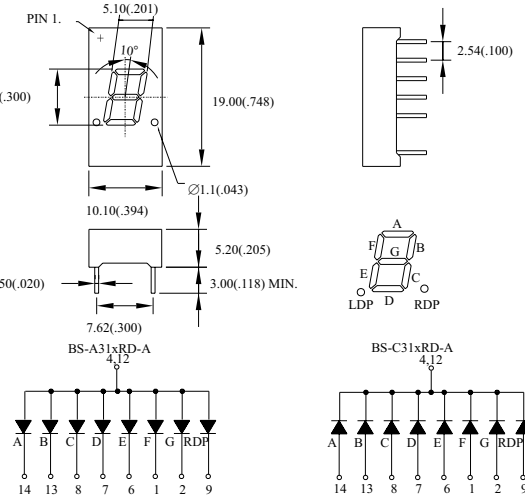
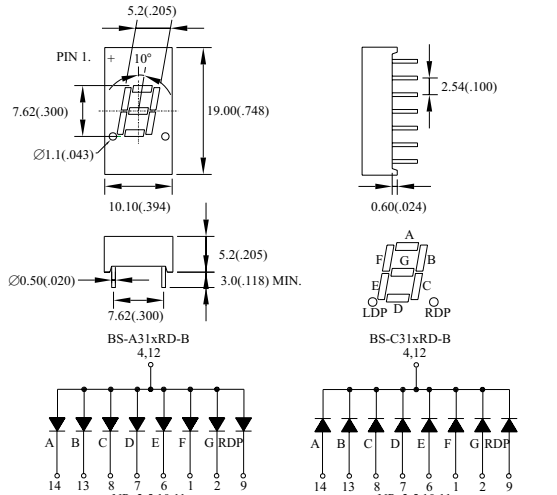
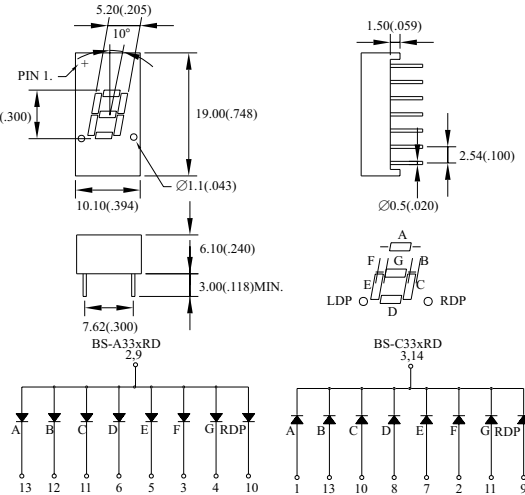
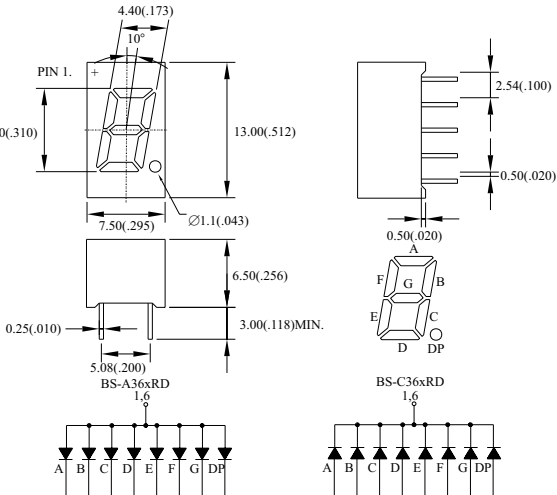
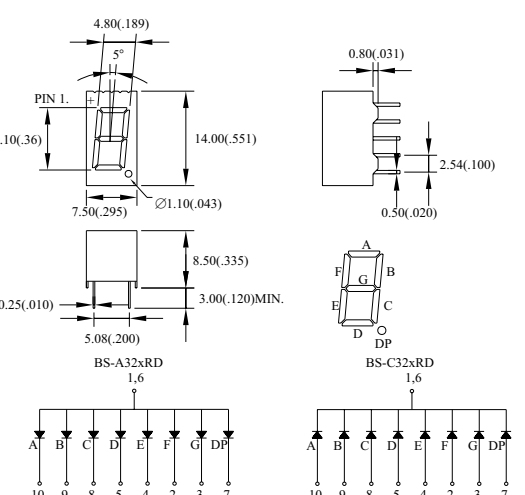


Digit Size	Part No.		Chip		Absolute Maximum Ratings				Electro-optical Data(At 10mA)			Drawing No.	
	Common Anode	Common Cathode	Material/Emitted Color	Peak Wave Length λ_p (nm)	$\Delta \lambda$ (nm)	Pd (mw)	If (mA)	Ifp (mA)	Vf (v)		Iv. Typ. Per.Seg. (mcd)		
									Typ.	Max.			
0.30" Single-Digit	BS-A311RD	BS-C311RD	GaAsP/Red	655	40	80	40	200	1.7	2.0	0.6	SD-07	
	BS-A315RD	BS-C315RD	GaP/ Bright Red	700	90	40	15	50	2.2	2.5	1.2		
	BS-A315RE	BS-C315RE		GaP/ Green	568	30	80	30	150	2.2	2.5		3.0
	BS-A312RD	BS-C312RD	GaAsP/GaP/ Yellow		585	35	80	30	150	2.1	2.5		2.0
	BS-A313RD	BS-C313RD		GaAsP/GaP/ Hi-Eff.Red GaAsP/GaP/ Orange	635	45	80	30	150	2.0	2.5		3.0
	BS-A314RD	BS-C314RD	GaAlAs/ SH Super Red		660	20	80	30	150	1.7	2.5		6.0
	BS-A316RD	BS-C316RD		GaAlAs/ DH Super Red	660	20	80	30	150	1.7	2.5		7.0
	BS-A31DRD	BS-C31DRD	GaAsP/Red		655	40	80	40	200	1.7	2.0	0.6	SD-08
	BS-A311RD-A	BS-C311RD-A		GaP/ Bright Red	700	90	40	15	50	2.2	2.5	1.2	
	BS-A315RD-A	BS-C315RD-A			GaP/ Green	568	30	80	30	150	2.2	2.5	
	BS-A315RE-A	BS-C315RE-A		GaAsP/GaP/ Yellow		585	35	80	30	150	2.1	2.5	
	BS-A312RD-A	BS-C312RD-A			GaAsP/GaP/ Hi-Eff.Red GaAsP/GaP/ Orange	635	45	80	30	150	2.0	2.5	
	BS-A313RD-A	BS-C313RD-A		GaAlAs/ SH Super Red		660	20	80	30	150	1.7	2.5	
	BS-A314RD-A	BS-C314RD-A			GaAlAs/ DH Super Red	660	20	80	30	150	1.7	2.5	
	BS-A316RD-A	BS-C316RD-A	GaAsP/Red	655		40	80	40	200	1.7	2.0	0.6	SD-09
	BS-A31DRD-A	BS-C31DRD-A		GaP/ Bright Red	700	90	40	15	50	2.2	2.5	1.2	
	BS-A311RD-B	BS-C311RD-B			GaP/ Green	568	30	80	30	150	2.2	2.5	
	BS-A315RD-B	BS-C315RD-B		GaAsP/GaP/ Yellow		585	35	80	30	150	2.1	2.5	
	BS-A315RE-B	BS-C315RE-B			GaAsP/GaP/ Hi-Eff.Red GaAsP/GaP/ Orange	635	45	80	30	150	2.0	2.5	
	BS-A312RD-B	BS-C312RD-B		GaAlAs/ SH Super Red		660	20	60	30	150	1.7	2.5	
	BS-A313RD-B	BS-C313RD-B			GaAlAs/ DH Super Red	660	20	60	30	150	1.7	2.5	
	BS-A314RD-B	BS-C314RD-B	GaAsP/Red	655		40	80	40	200	1.7	2.0	0.6	SD-10
	BS-A316RD-B	BS-C316RD-B		GaP/ Bright Red	700	90	40	15	50	2.2	2.5	1.2	
	BS-A31DRD-B	BS-C31DRD-B			GaP/ Green	568	30	80	30	150	2.2	2.5	
	BS-A331RD	BS-C331RD		GaAsP/GaP/ Yellow		585	35	80	30	150	2.1	2.5	
	BS-A335RD	BS-C335RD			GaAsP/GaP/ Hi-Eff.Red GaAsP/GaP/ Orange	635	45	80	30	150	2.0	2.5	
	BS-A335RE	BS-C335RE		GaAlAs/ SH Super Red		660	20	80	30	150	1.7	2.5	
	BS-A332RD	BS-C332RD			GaAlAs/ DH Super Red	660	20	80	30	150	1.7	2.5	
BS-A333RD	BS-C333RD	GaAsP/Red	655	40		80	40	200	1.7	2.0	0.6	SD-11	
BS-A334RD	BS-C334RD		GaP/ Bright Red	700	90	40	15	50	2.2	2.5	1.2		
BS-A336RD	BS-C336RD			GaP/ Green	568	30	80	30	150	2.2	2.5		3.0
BS-A361RD	BS-C361RD		GaAsP/GaP/ Yellow		585	35	80	30	150	2.1	2.5		2.0
BS-A365RD	BS-C365RD			GaAsP/GaP/ Hi-Eff.Red GaAsP/GaP/ Orange	635	45	100	30	150	2.0	2.5		3.0
BS-A365RE	BS-C365RE		GaAlAs/ SH Super Red		660	20	80	30	150	1.7	2.5		6.0
BS-A362RD	BS-C362RD			GaAlAs/ DH Super Red	660	20	80	30	150	1.7	2.5		7.0
BS-A363RD	BS-C363RD	GaAsP/Red	655		40	80	40	200	1.7	2.0	0.6	SD-12	
BS-A364RD	BS-C364RD		GaP/ Bright Red	700	90	40	15	50	2.2	2.5	1.2		
BS-A366RD	BS-C366RD			GaP/ Green	568	30	80	30	150	2.2	2.5		3.0
BS-A36DRD	BS-C36DRD		GaAsP/GaP/ Yellow		585	35	80	30	150	2.1	2.5		2.0
BS-A321RD	BS-C321RD			GaAsP/GaP/ Hi-Eff.Red GaAsP/GaP/ Orange	635	45	80	30	150	2.0	2.5		3.0
BS-A325RD	BS-C325RD		GaAlAs/ SH Super Red		660	20	80	30	150	1.7	2.5		6.0
BS-A325RE	BS-C325RE			GaAlAs/ DH Super Red	660	20	80	30	150	1.7	2.5		7.0
BS-A322RD	BS-C322RD	GaAsP/Red	655		40	80	40	200	1.7	2.0	0.6	SD-12	
BS-A323RD	BS-C323RD		GaP/ Bright Red	700	90	40	15	50	2.2	2.5	1.2		
BS-A324RD	BS-C324RD			GaP/ Green	568	30	80	30	150	2.2	2.5		3.0
BS-A326RD	BS-C326RD		GaAsP/GaP/ Yellow		585	35	80	30	150	2.1	2.5		2.0
BS-A32DRD	BS-C32DRD			GaAsP/GaP/ Hi-Eff.Red GaAsP/GaP/ Orange	635	45	80	30	150	2.0	2.5		3.0
BS-A322RD	BS-C322RD		GaAlAs/ SH Super Red		660	20	80	30	150	1.7	2.5		6.0
BS-A323RD	BS-C323RD			GaAlAs/ DH Super Red	660	20	80	30	150	1.7	2.5		7.0

SD-07 BS-A _C 31xRD	SD-08 BS-A _C 31xRD-A
	
	
	

NOTES: 1.All Dimensions are in millimeters(inches).
3.Specifications are subject to change without notice.

2.Tolerance is $\pm 0.25\text{mm}(.010")$.
4.NP:No Pin. 5.NC:No Connect.