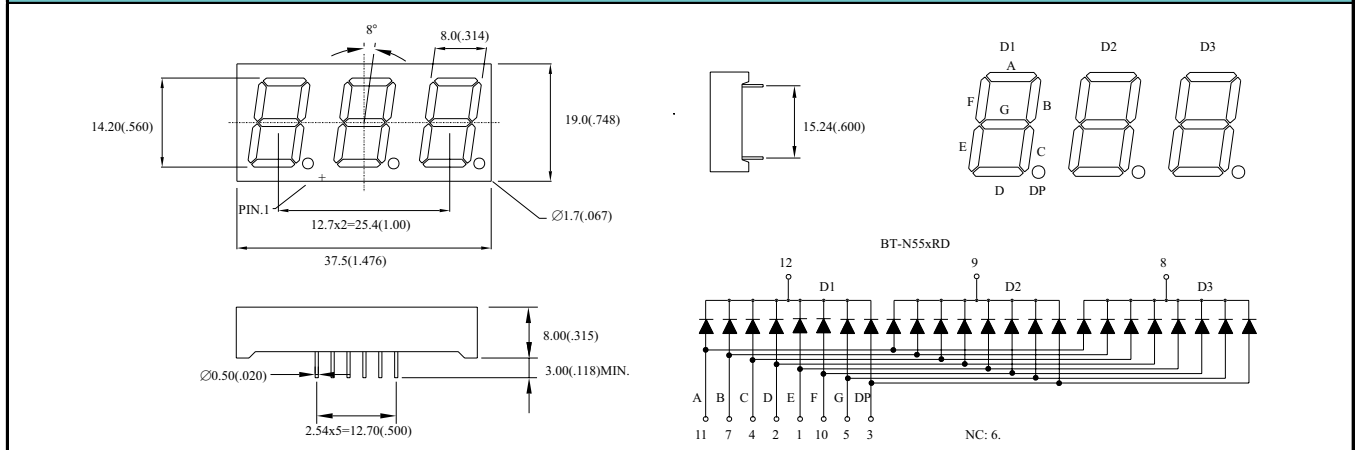


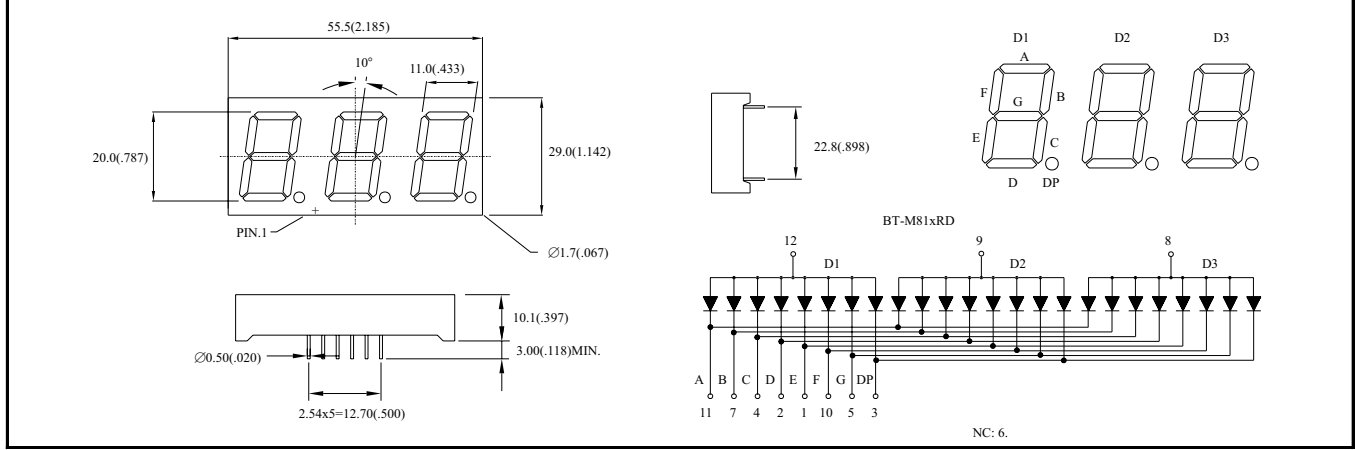
# THREE DIGIT LED DISPLAYS

| Digit Size        | Part No.     |                      | Chip                   |                                   | Absolute Maximum Ratings |         |         |          | Electro-optical Data(At 10mA) |      |                         | Drawing No. |
|-------------------|--------------|----------------------|------------------------|-----------------------------------|--------------------------|---------|---------|----------|-------------------------------|------|-------------------------|-------------|
|                   | Common Anode | Common Cathode       | Material/Emitted Color | Peak Wave Length $\lambda_p$ (nm) | $\Delta \lambda$ (nm)    | Pd (mw) | If (mA) | Ifp (mA) | Vf (v)                        |      | Iv. Typ. Per.Seg. (mcd) |             |
|                   |              |                      |                        |                                   |                          |         |         |          | Typ.                          | Max. |                         |             |
| 0.56" Three-Digit | BT-M551RD    | BT-N551RD            | GaAsP/Red              | 655                               | 40                       | 80      | 40      | 200      | 1.7                           | 2.0  | 0.6                     | TD-11       |
|                   | BT-M555RD    | BT-N555RD            | GaP/ Bright Red        | 700                               | 90                       | 40      | 15      | 50       | 2.2                           | 2.5  | 1.2                     |             |
|                   | BT-M555RE    | BT-N555RE            |                        |                                   |                          |         |         |          |                               |      |                         |             |
|                   | BT-M552RD    | BT-N552RD            | GaP/ Green             | 568                               | 30                       | 80      | 30      | 150      | 2.2                           | 2.5  | 3.0                     |             |
|                   | BT-M553RD    | BT-N553RD            | GaAsP/GaP/ Yellow      | 585                               | 35                       | 80      | 30      | 150      | 2.1                           | 2.5  | 2.0                     |             |
|                   | BT-M554RD    | BT-N554RD            | GaAsP/GaP/ Hi-Eff.Red  | 635                               | 45                       | 80      | 30      | 150      | 2.0                           | 2.5  | 3.0                     |             |
|                   |              |                      | GaAsP/GaP/ Orange      |                                   |                          |         |         |          |                               |      |                         |             |
|                   | BT-M556RD    | BT-N556RD            | GaAlAs/ SH Super Red   | 660                               | 20                       | 80      | 30      | 150      | 1.7                           | 2.5  | 6.0                     |             |
| BT-M55DRD         | BT-N55DRD    | GaAlAs/ DH Super Red | 660                    | 20                                | 80                       | 30      | 150     | 1.7      | 2.5                           | 7.0  |                         |             |
| 0.80" Three-Digit | BT-M811RD    | BT-N811RD            | GaAsP/Red              | 655                               | 40                       | 80      | 40      | 200      | 1.7                           | 2.0  | 1.3                     | TD-12       |
|                   | BT-M815RD    | BT-N815RD            | GaP/ Bright Red        | 700                               | 90                       | 40      | 15      | 50       | 2.2                           | 2.5  | 1.6                     |             |
|                   | BT-M815RE    | BT-N815RE            |                        |                                   |                          |         |         |          |                               |      |                         |             |
|                   | BT-M812RD    | BT-N812RD            | GaP/ Green             | 568                               | 30                       | 80      | 30      | 150      | 2.2                           | 2.5  | 3.2                     |             |
|                   | BT-M813RD    | BT-N813RD            | GaAsP/GaP/ Yellow      | 585                               | 35                       | 80      | 30      | 150      | 2.1                           | 2.5  | 2.2                     |             |
|                   | BT-M814RD    | BT-N814RD            | GaAsP/GaP/ Hi-Eff.Red  | 635                               | 45                       | 80      | 30      | 150      | 2.0                           | 2.5  | 3.2                     |             |
|                   |              |                      | GaAsP/GaP/ Orange      |                                   |                          |         |         |          |                               |      |                         |             |
|                   | BT-M816RD    | BT-N816RD            | GaAlAs/ SH Super Red   | 660                               | 20                       | 80      | 30      | 150      | 1.7                           | 2.5  | 7.5                     |             |
| BT-M81DRD         | BT-N81DRD    | GaAlAs/ DH Super Red | 660                    | 20                                | 80                       | 30      | 150     | 1.7      | 2.5                           | 12.5 |                         |             |

## TD-11 BT-M<sub>55</sub>xRD



## TD-12 BT-M<sub>81</sub>xRD



NOTES: 1.All Dimensions are in millimeters(inches)  
 2.Tolerance is  $\pm 0.25\text{mm}(.010")$ .  
 3.Specifications are subject to change without notice.  
 4.NP:No Pin. 5.NC:No Connect.