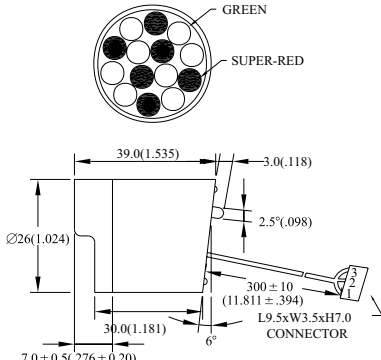
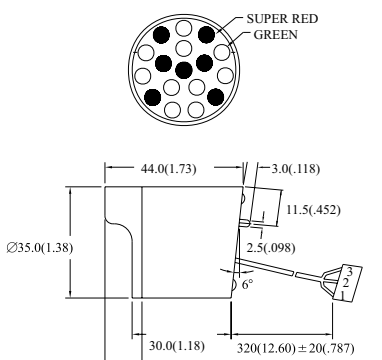
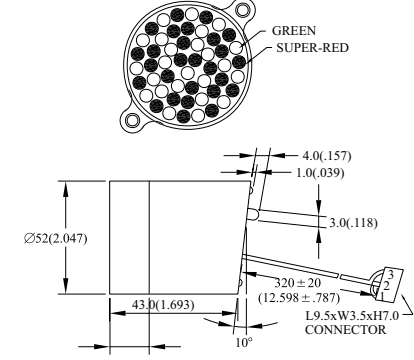
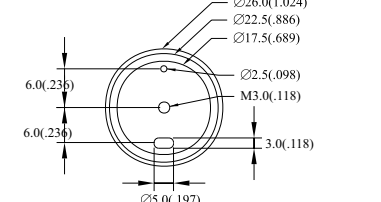
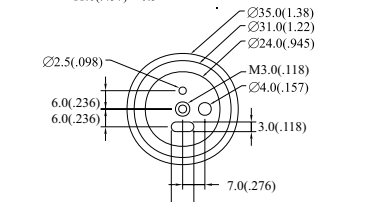
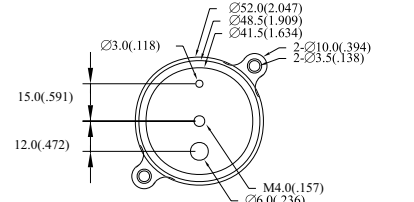
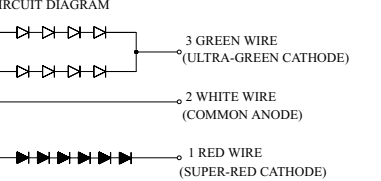
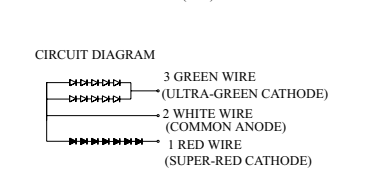
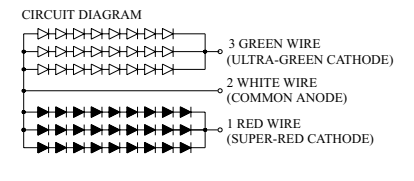


Package	Part No.	Chip		Lens Appearance	Absolute Maximum Ratings				Electro-optical Data			Viewing Angle 2 θ 1/2 (deg)	Drawing No.
		Material/ Emitted Color	Peak Wave Length λ <sub>p</sub> (nm)		Δλ (nm)	Pd (mw)	If (mA)	Vr (V)	Vf (V)	If (mA)	Iv (cd)		
									Typ	Typ	Typ		
26 φ Multi-Color	BLO-26X1D0-02	GaP/ GaP/ Hi-Eff Green	568	Water Clear	30	700	60	20	8.8	40	2.5	40	L-165
		GaAlAs/ DH Red	660		20	400	30	30	10.8	20	3.5		
35 φ Multi-Color	BLO-35X1D0-02	GaP/ GaP/ Hi-Eff Green	568	Water Clear	30	1000	40	25	8.8	40	3.5	45	L-166
		GaAlAs/ DH Red	660		20	400	20	35	10.8	20	3.4		
52 φ Multi-Color	BLO-52X1D0-01	GaP/ GaP/ Hi-Eff Green	568	Water Clear	30	1600	90	40	17.0	60.0	4.5	50	L-167
		GaAlAs/ DH Red	660		20	1500	90	45	16.2	60.0	6.0		

Remark : 1.Hi-Eff Red / High-Efficiency Red ◦  
 2.Trans / Transparent ◦  
 3.2 θ 1/2 The off-axis angle at which the luminous intensity is half the axial luminous intensity ◦

L-165	BL0-26xxxx-02 Series	L-166	BL0-35xxxx-02 Series	L-167	BL0-52xxxx-01 Series
					
					
<p>CIRCUIT DIAGRAM</p> 		<p>CIRCUIT DIAGRAM</p> 		<p>CIRCUIT DIAGRAM</p> 	

Notes: 1.All Dimensions are millimeters (inches).  
 2.Tolerance is 0.25mm (.010").