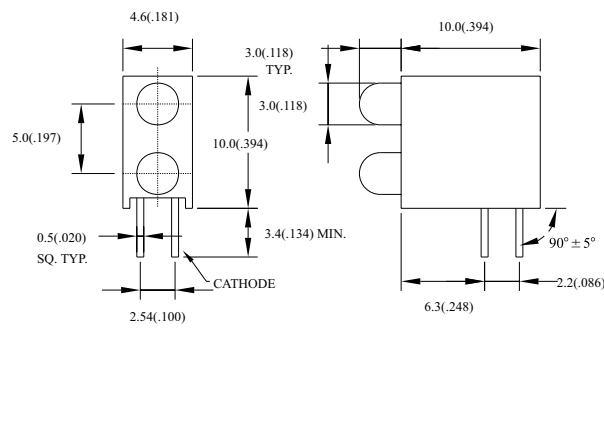
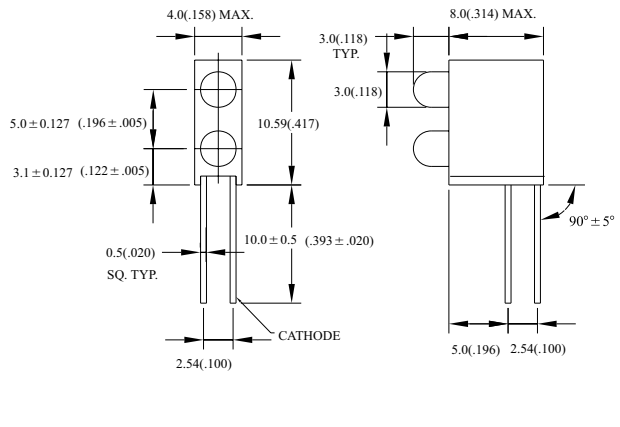
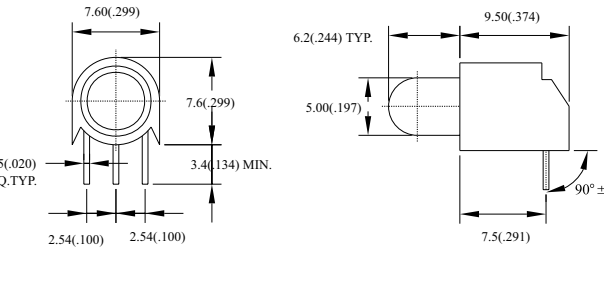
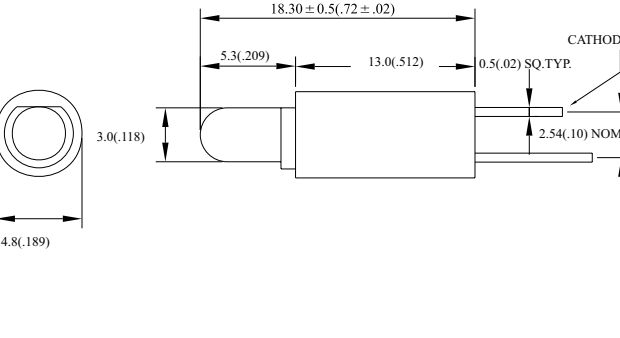
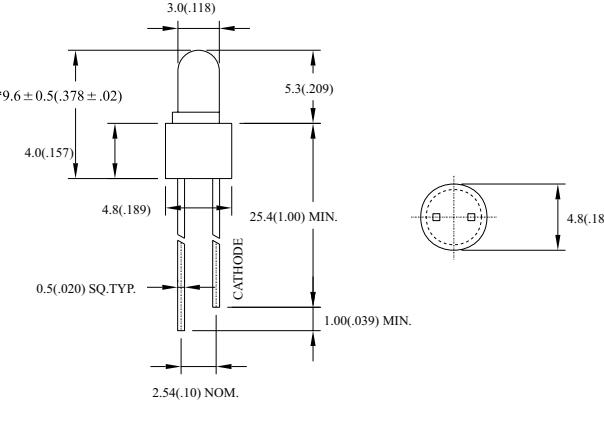
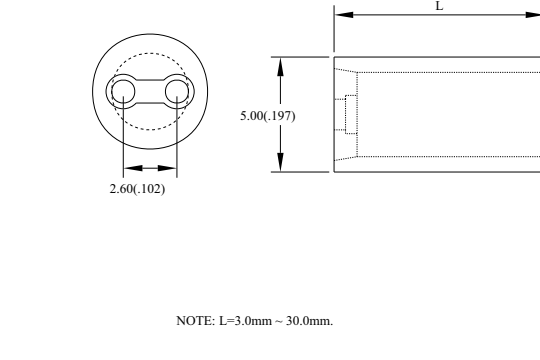


H-31 BL-C35/xx-31E Series	H-32 BL-C35C/xx-31E Series
	
H-33 BL-C36/xx-34 Series	H-34 BL-C37/xx-41 Series
<p style="text-align: center;">CENTER LEAD COMMON CATHODE</p> <p style="text-align: center;">AMBER ANODE GREEN ANODE</p> 	
H-35 BL-C37B/xx-41 Series	H-36 BL-C38 Series
	 <p style="text-align: center;">NOTE: L=3.0mm ~ 30.0mm.</p>

Notes : 1.All Dimensions are in millimeters (inches).
2.Tolerance is $\pm 0.25\text{mm}$ (.010").