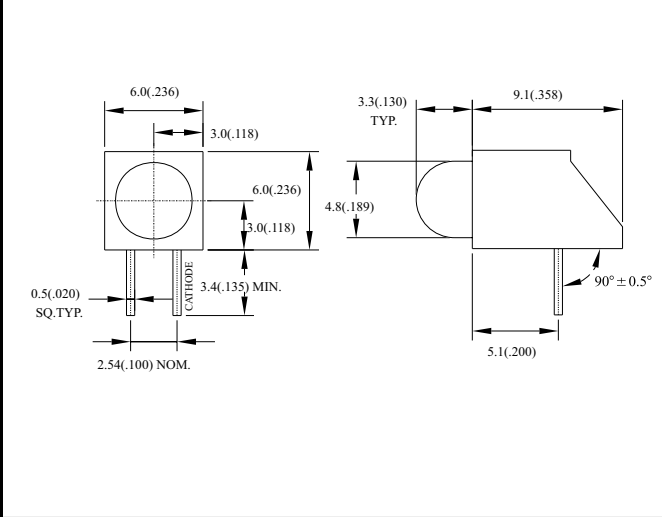
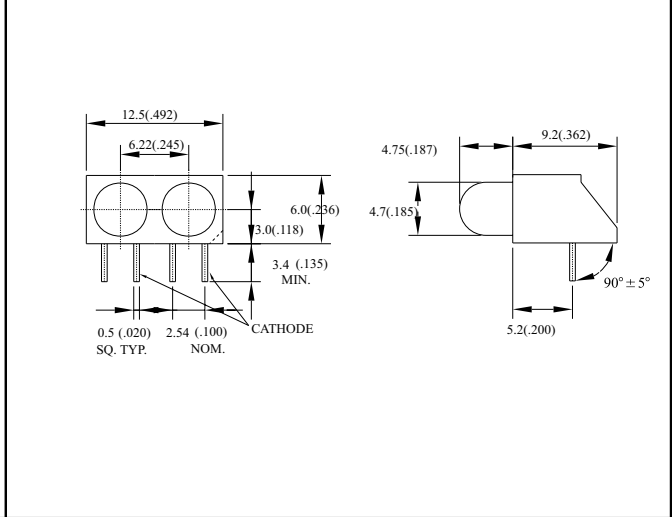
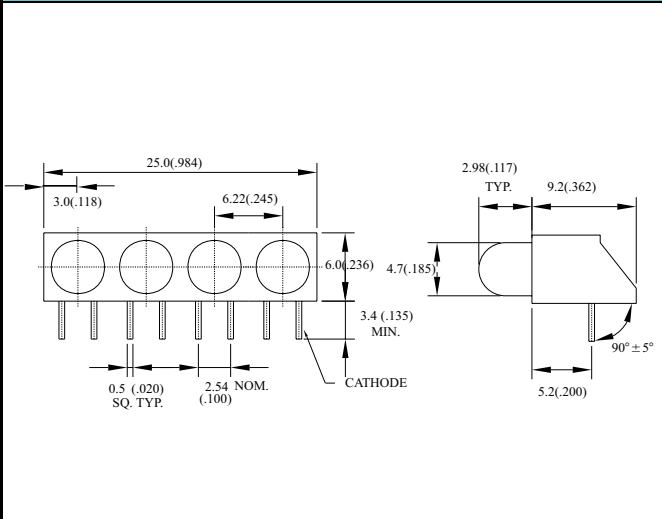
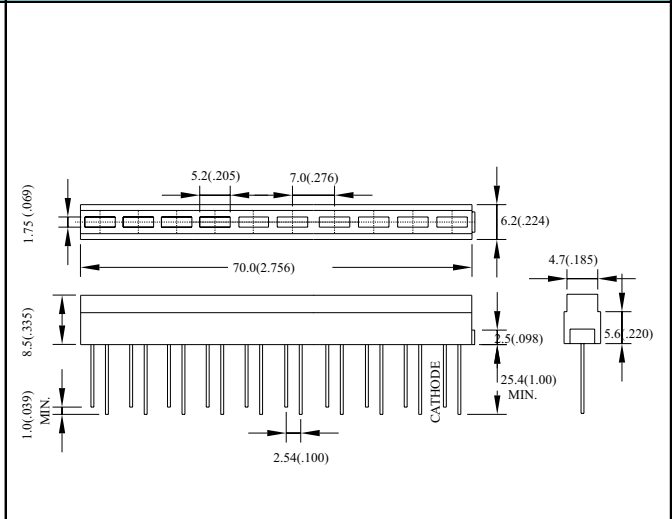
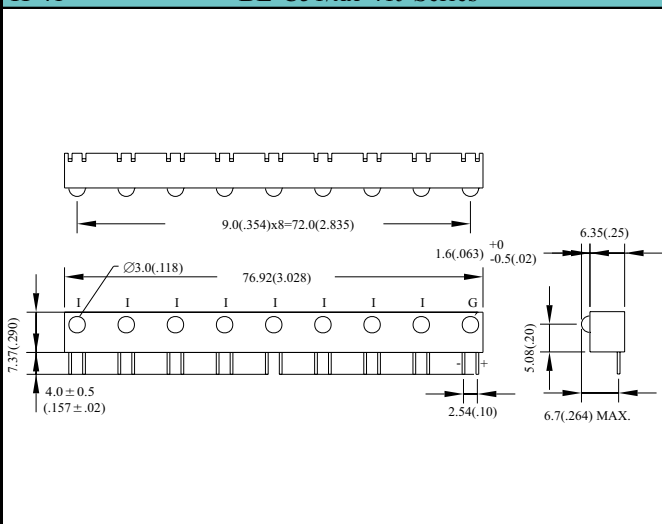
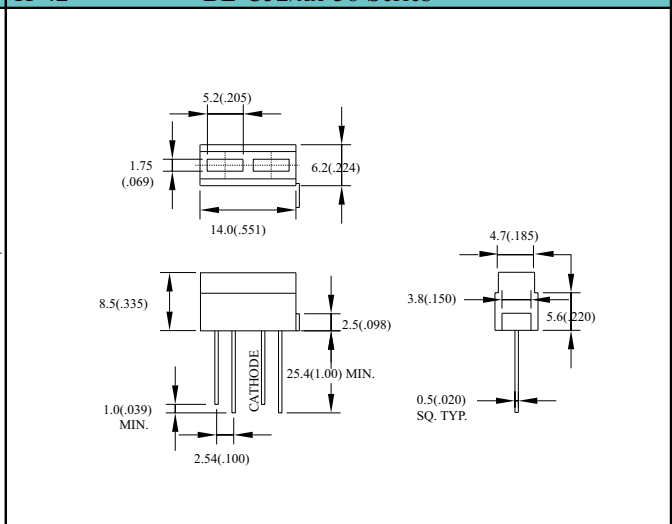


H-37 BL-C41/xx-33N Series	H-38 BL-C42/xx-37N Series
	
H-39 BL-C44/xx-33 Series	H-40 BL-C50/xx-38 Series
	
H-41 BL-C51/xx-41J Series	H-42 BL-C52/xx-38 Series
	

Notes : 1.All Dimensions are in millimeters (inches).
2.Tolerance is $\pm 0.25\text{mm}$ (.010").