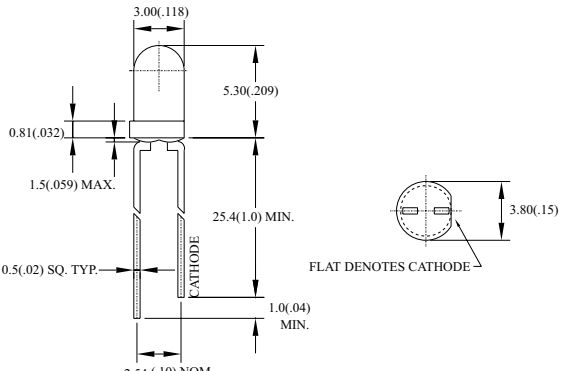
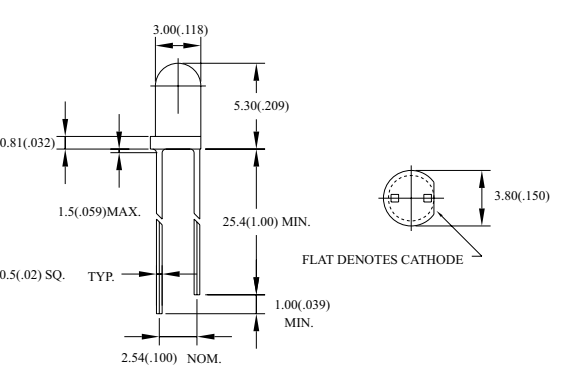
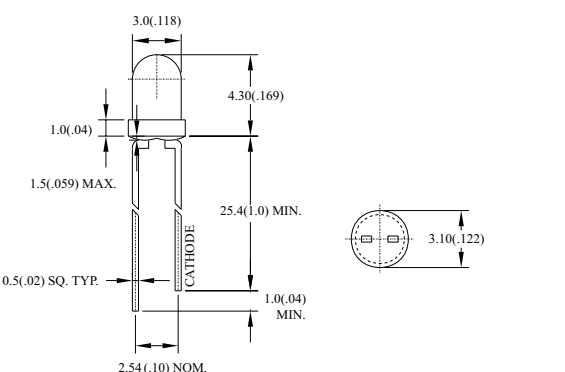
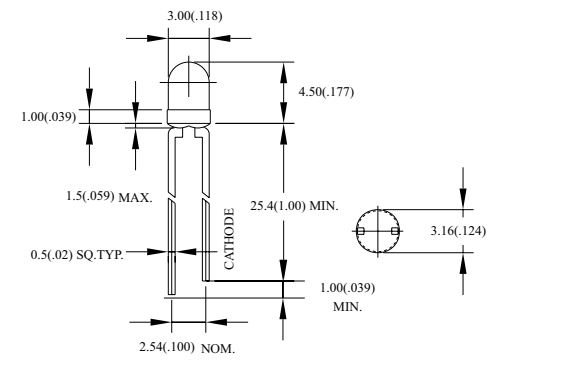
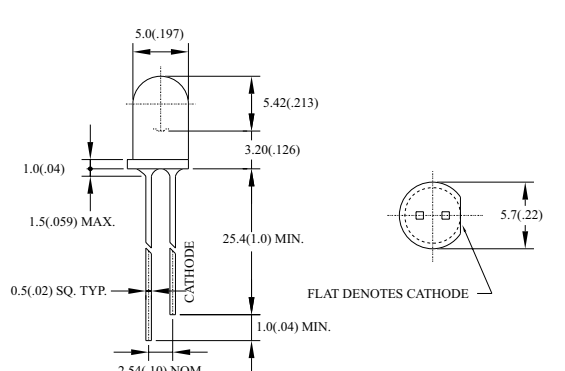
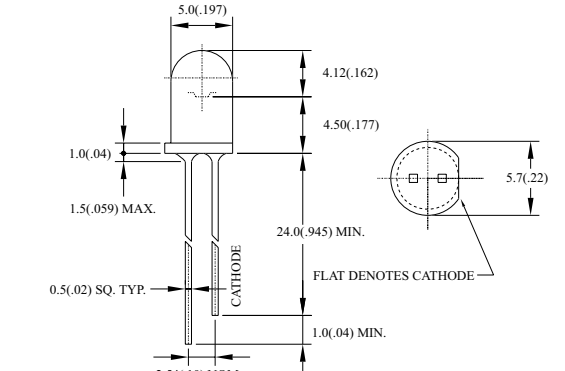
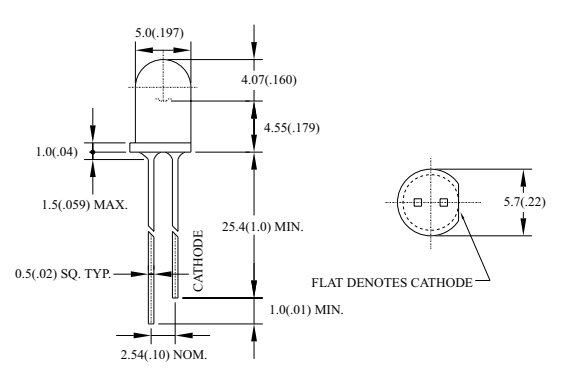
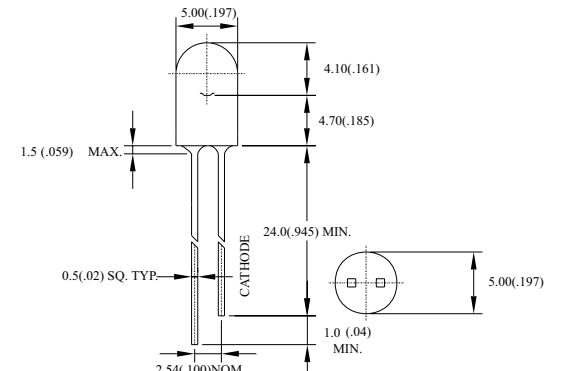


Package	Part No.	Chip		Lens Appearance	Absolute Maximum Ratings			Electro-optical Data(At 2mA)			Viewing Angle 2θ 1/2 (deg)	Drawing No.
		Material/ Emitted Color	Peak Wave Length λp (nm)		Δλ (nm)	Pd (mw)	If (mA)	Vf (V)		Iv (mcd)		
								Typ	Max	Typ.		
T-1 Standard 1.0" Lead 3φ	BL-B5131-L	GaP/GaP/ Bright Red	700	Red Diffused	90	14	7	1.9	2.2	0.8	35	L-144
	BL-B4531-L	GaAsP/GaP/ Hi-Eff Red	635		45	14	7	1.8	2.2	4.0		
	BL-B2131-L	GaP/GaP/ Green	568	Green Diffused	30	14	7	1.9	2.2	4.0		
	BL-BX1131-L	GaP/GaP/ Hi-Eff Green	568		30	14	7	1.8	2.2	7.0		
	BL-B3131-L	GaAsP/GaP/ Yellow	585	Yellow Diffused	35	14	7	1.9	2.2	3.0		
	BL-B4131-L	GaAsP/GaP/ Orange	635	Orange Diffused	45	14	7	1.8	2.2	4.0		
BL-B4331-L	GaAsP/GaP/ Orange	635	Water Clear	45	14	7	1.8	2.2	12.0	30		
T-1 Standard 1.0" Lead 3φ	BL-B5141-L	GaP/GaP/ Bright Red	700	Red Diffused	90	14	7	1.9	2.2	1.0	35	L-145
	BL-B4541-L	GaAsP/GaP/ Hi-Eff Red	635		45	14	7	1.8	2.2	4.0		
	BL-B2141-L	GaP/GaP/ Green	568	Green Diffused	30	14	7	1.9	2.2	4.0		
	BL-BX1141-L	GaP/GaP/ Hi-Eff Green	568		30	14	7	1.8	2.2	7.0		
	BL-B3141-L	GaAsP/GaP/ Yellow	585	Yellow Diffused	35	14	7	1.9	2.2	3.0		
	BL-B4141-L	GaAsP/GaP/ Orange	635	Orange Diffused	45	14	7	1.8	2.2	4.0		
BL-B4341-L	GaAsP/GaP/ Orange	635	Water Clear	45	14	7	1.8	2.2	12.0	30		
T-1 Low Profile 1.0" Lead 3φ	BL-B4531E-L	GaAsP/GaP/ Hi-Eff Red	635	Red Diffused	45	14	7	1.8	2.2	3.0	45	L-146
	BL-B2131E-L	GaP/GaP/ Green	568	Green Diffused	30	14	7	1.9	2.2	3.0		
	BL-B3131E-L	GaAsP/GaP/ Yellow	585	Yellow Diffused	35	14	7	1.9	2.2	2.0		
	BL-B2431E-L	GaP/GaP/ Green	568	Green Trans	30	14	7	1.9	2.2	6.5		
	BL-B3431E-L	GaAsP/GaP/ Yellow	585	Yellow Trans	35	14	7	1.9	2.2	5.5		
	BL-B2331E-L	GaP/GaP/ Green	568	Water Clear	30	14	7	1.9	2.2	6.5		
BL-B3331E-L	GaAsP/GaP/ Yellow	585	35		14	7	1.9	2.2	5.5			
T-1 Low Profile 1.0" Lead 3φ	BL-B4531K-L	GaAsP/GaP/ Hi-Eff Red	635	Red Diffused	45	14	7	1.8	2.2	3.0	45	L-147
	BL-B2131K-L	GaP/GaP/ Green	568	Green Diffused	30	14	7	1.9	2.2	3.0		
	BL-B3131K-L	GaAsP/GaP/ Yellow	585	Yellow Diffused	35	14	7	1.9	2.2	2.0		
	BL-B2431K-L	GaP/GaP/ Green	568	Green Trans	30	14	7	1.9	2.2	6.5		
	BL-B3431K-L	GaAsP/GaP/ Yellow	585	Yellow Trans	35	14	7	1.9	2.2	5.5		
	BL-B2331K-L	GaP/GaP/ Green	568	Water Clear	30	14	7	1.9	2.2	6.5		
BL-B3331K-L	GaAsP/GaP/ Yellow	585	35		14	7	1.9	2.2	5.5			
T-13/4 Standard 1.0" Lead 5φ	BL-B5134-L	GaP/GaP/ Bright Red	700	Red Diffused	90	14	7	1.9	2.2	1.2	35	L-148
	BL-B4534-L	GaAsP/GaP/ Hi-Eff Red	635		45	14	7	1.8	2.2	8.0		
	BL-B2134-L	GaP/GaP/ Green	568	Green Diffused	30	14	7	1.9	2.2	8.0		
	BL-BX1134-L	GaP/GaP/ Hi-Eff Green	568		30	14	7	1.8	2.2	12.5		
	BL-B3134-L	GaAsP/GaP/ Yellow	585	Yellow Diffused	35	14	7	1.9	2.2	7.0		
	BL-B4134-L	GaAsP/GaP/ Orange	635	Orange Diffused	45	14	7	1.8	2.2	8.0		
BL-B4334-L	GaAsP/GaP/ Orange	635	Water Clear	45	14	7	1.8	2.2	20.0	12		
T-13/4 Standard 1.0" Lead 5φ	BL-B5134-1-L	GaP/GaP/ Bright Red	700	Red Diffused	90	14	7	1.9	2.2	0.8	40	L-149
	BL-B4534-1-L	GaAsP/GaP/ Hi-Eff Red	635		45	14	7	1.8	2.2	6.5		
	BL-B2134-1-L	GaP/GaP/ Green	568	Green Diffused	30	14	7	1.9	2.2	6.5		
	BL-BX1134-1-L	GaP/GaP/ Hi-Eff Green	568		30	14	7	1.9	2.2	10.5		
	BL-B3134-1-L	GaAsP/GaP/ Yellow	585	Yellow Diffused	35	14	7	1.9	2.2	5.5		
	BL-B4134-1-L	GaAsP/GaP/ Orange	635	Orange Diffused	45	14	7	1.8	2.2	6.5		
BL-B4334-1-L	GaAsP/GaP/ Orange	635	Water Clear	45	14	7	1.8	2.2	16.0	20		
T-13/4 Standard 1.0" Lead 5φ	BL-B5134G-1-L	GaP/GaP/ Bright Red	700	Red Diffused	90	14	7	1.9	2.2	0.8	45	L-150
	BL-B4534G-1-L	GaAsP/GaP/ Hi-Eff Red	635		45	14	7	1.8	2.2	6.5		
	BL-B2134G-1-L	GaP/GaP/ Green	568	Green Diffused	30	14	7	1.9	2.2	6.5		
	BL-BX1134G-1-L	GaP/GaP/ Hi-Eff Green	568		30	14	7	1.9	2.2	10.5		
	BL-B3134G-1-L	GaAsP/GaP/ Yellow	585	Yellow Diffused	35	14	7	1.9	2.2	5.5		
	BL-B4334G-1-L	GaAsP/GaP/ Orange	635	Water Clear	45	14	7	1.8	2.2	16.0		
T-13/4 Flangeless 1.0" Lead 5φ	BL-B5134N-1-L	GaP/GaP/ Bright Red	700	Red Diffused	90	14	7	1.9	2.2	0.9	45	L-151
	BL-B4534N-1-L	GaAsP/GaP/ Hi-Eff Red	635		45	14	7	1.8	2.2	7.0		
	BL-B2134N-1-L	GaP/GaP/ Green	568	Green Diffused	30	14	7	1.9	2.2	7.0		
	BL-BX1134N-1-L	GaP/GaP/ Hi-Eff Green	568		30	14	7	1.8	2.2	11.2		
	BL-B3134N-1-L	GaAsP/GaP/ Yellow	585	Yellow Diffused	35	14	7	1.9	2.2	6.5		

Remark : 1.Hi-Eff Red / High-Efficiency Red.
2.Trans / Transparent.
3.2θ 1/2 The off-axis angle at which the luminous intensity is half the axial luminous intensity.

<p>L-144 BL-Bxx31-L Series</p>  <p>FLAT DENOTES CATHODE</p>	<p>L-145 BL-Bxx41-L Series</p>  <p>FLAT DENOTES CATHODE</p>
<p>L-146 BL-Bxx31E-L Series</p>  <p>FLAT DENOTES CATHODE</p>	<p>L-147 BL-Bxx31K-L Series</p>  <p>FLAT DENOTES CATHODE</p>
<p>L-148 BL-Bxx34-L Series</p>  <p>FLAT DENOTES CATHODE</p>	<p>L-149 BL-Bxx34-1-L Series</p>  <p>FLAT DENOTES CATHODE</p>
<p>L-150 BL-Bxx34G-1-L Series</p>  <p>FLAT DENOTES CATHODE</p>	<p>L-151 BL-Bxx34N-1-L Series</p>  <p>FLAT DENOTES CATHODE</p>

Notes : 1.All Dimensions are in millimeters (inches).
2.Tolerance is $\pm 0.25\text{mm}$ (.010").