

APPLICATIONS

- Optical switch
- Light detecting portion of remote control
 - AV instruments such as Audio, TV, VCR, CD, MD, etc.
 - The other equipments with wireless remote control.
 - Multi-media Equipment

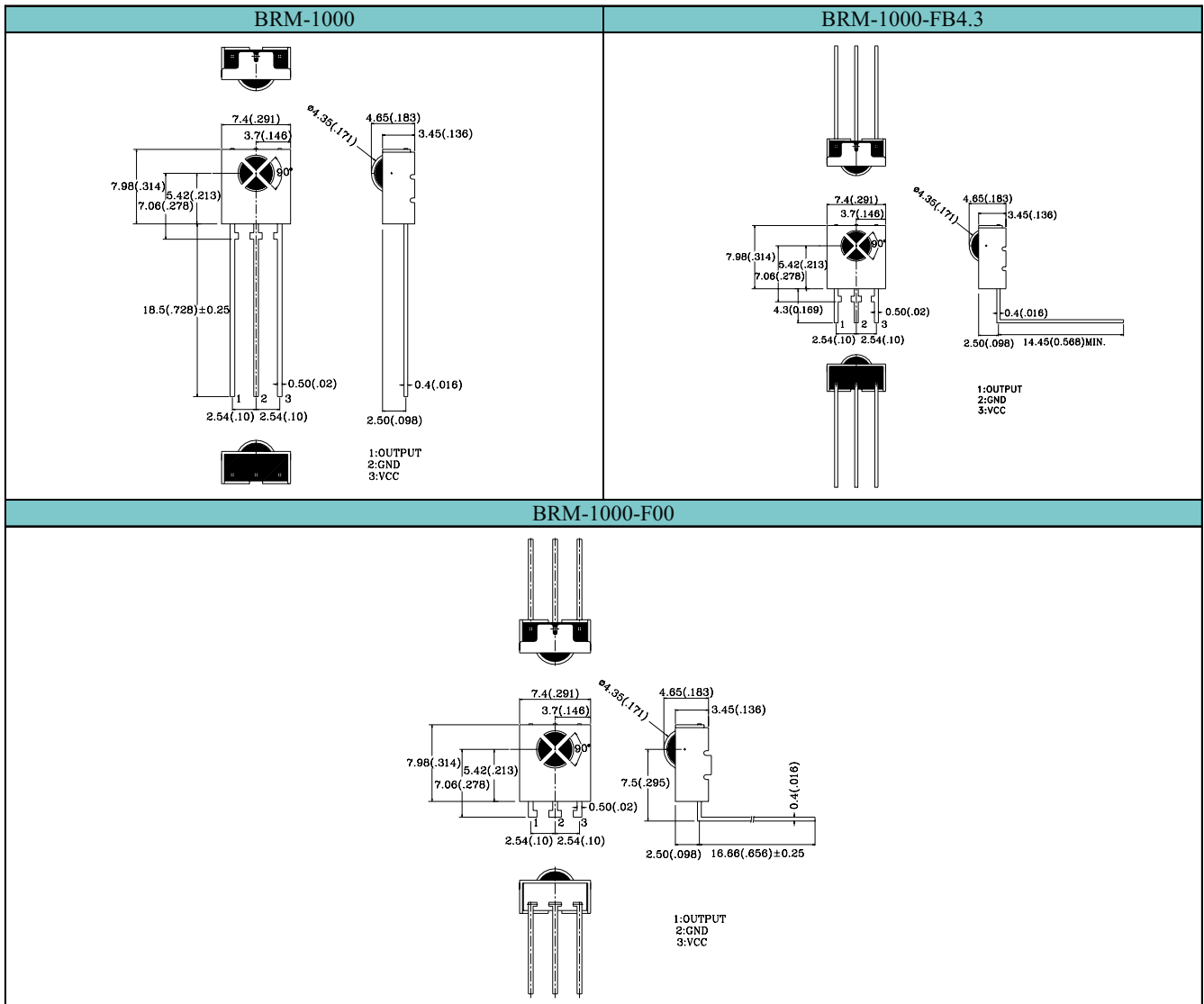
Home appliances such as Air-conditioner, Fan, etc.
CATV set top boxes

ABSOLUTE MAXIMUM RATINGS (Ta=25°C)

Supply Voltage	4.5~5.5V
Operating Temperature Range			-30°C ~ +85°C
Storage Temperature Range	-40°C ~ +85°C
Lead Scolding Temperature (4mm from mold body less then 5 sec.)		5sec 260°C

ELECTRICAL AND OPTICAL CHARACTERISTICS (Ta=25°C)

Part No.	Supply Current I _{cc} (mA)		Reception Distance (m)	B.P.F Center Frequency (KHz)	λ _P (nm)	Half Angle θ (deg)	High Level Pulse Width T _H (us)		Low Level Pulse Width T _L (us)		High Level Output Voltage V _H (V)		Low Level Output Voltage V _L (V)	
	Max.	Min.					Min.	Max.	Min.	Max.	Min.	Max.	Min.	Max.
BRM-1000														
BRM-1000-FB4.3	1.0		8	38	940	35	400	800	400	800	4.5	-	-	0.5
BRM-1000-F00														



- NOTES : 1.All dimensions are in millimeters (inches).
2.Tolerance is ± 0.25mm (0.01).